

AV6200 BK

WHY RAMEX HOSE REELS › PERCHÈ UN AVVOLGITUBO RAMEX

| | |
|----------------------------|------------------------------------|
| ■ SAVE TIME | ■ RISPARMIO DI TEMPO |
| ■ SAVE MONEY | ■ RISPARMIO DI DENARO |
| ■ INCREASED SAFETY | ■ SICUREZZA SUL LAVORO |
| ■ LONG HOSE DURABILITY | ■ INCREMENTA LA DURATA DEL TUBO |
| ■ EFFICIENCY IN DAILY WORK | ■ EFFICIENZA NEL LAVORO QUOTIDIANO |
| ■ 100% MADE IN ITALY | ■ MADE IN ITALY 100% |

WHERE TO USE › DOVE UTILIZZARLO



🌐 <http://ramex.com.ru> 8 (800) 707-66-48

✉ ramex@ramex.com.ru +7 (495) 540-45-68

PROPER USE › CORRETTO UTILIZZO



1



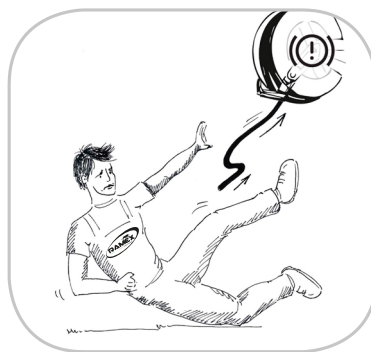
2



3



4



5

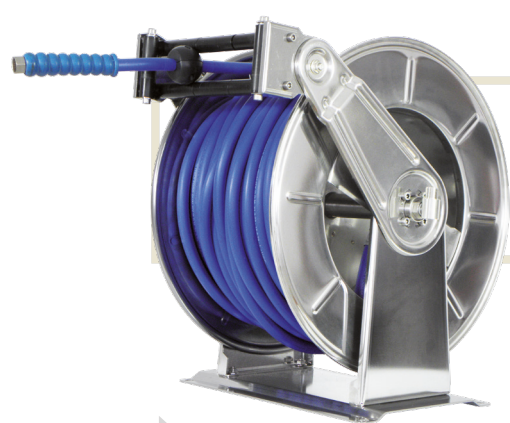


6

ramex

video





AV6200 BK

TECHNICAL FEATURES › CARATTERISTICHE TECNICHE

AV6200 BK AISI 304

| | |
|--|--|
| Admitted diameters Diametri ammessi | 1/4" - 3/8" - 1/2" |
| Hose lenght in meters Lunghezza tubo | 60 mt 1/2" - 60 mt 3/8" - 60 mt 1/4" |
| Working pressure Pressione lavoro | Up to 200 bar / Fino a 200 bar |
| Working Temperature Temperatura lavoro | 90°C |
| Inlet thread size Connessione Ingresso | 1/2" M |
| Outlet thread size Connessione uscita | 1/2" F |
| Weight Peso | 49,7 kg |
| Packing size Dimensione imballo | 600x600x600 mm |
| Raw material sides and roll Materiali costruttivi rullo e fiancate | AISI 304 |
| Raw material shaft and swivel joint Materiali costruttivi perno e giunto | AISI 303 |
| Raw material main spring Materiale molla principale | Carbon Steel Acciaio al carbonio |
| Can be used to transfer Adatto all'utilizzo con | Air Water Chemical Aria Acqua Prodotti Chimici |
| Included Accessories Accessori inclusi | Hose bumper (1/4", 3/8" o 1/2") and nipple (3/8" o 1/2") Palla finecorsa (1/4", 3/8" o 1/2") e nipplo (3/8" o 1/2") |

AV6200 BK AISI 316

| | |
|--|--|
| Admitted diameters Diametri ammessi | 1/4" - 3/8" - 1/2" |
| Hose lenght in meters Lunghezza tubo | 60 mt 1/2" - 60 mt 3/8" - 60 mt 1/4" |
| Working pressure Pressione lavoro | Up to 200 bar / Fino a 200 bar |
| Working Temperature Temperatura lavoro | 90°C |
| Inlet thread size Connessione Ingresso | 1/2" M |
| Outlet thread size Connessione uscita | 1/2" F |
| Weight Peso | 49,7 kg |
| Packing size Dimensione imballo | 600x600x600 mm |
| Raw material sides and roll Materiali costruttivi rullo e fiancate | AISI 316 |
| Raw material shaft and swivel joint Materiali costruttivi perno e giunto | AISI 316 |
| Raw material main spring Materiale molla principale | Carbon Steel Acciaio al carbonio |
| Can be used to transfer Adatto all'utilizzo con | Air Water Chemical Aria Acqua Prodotti Chimici |
| Included Accessories Accessori inclusi | Hose bumper (1/4", 3/8" o 1/2") and nipple (3/8" o 1/2") Palla finecorsa (1/4", 3/8" o 1/2") e nipplo (3/8" o 1/2") |

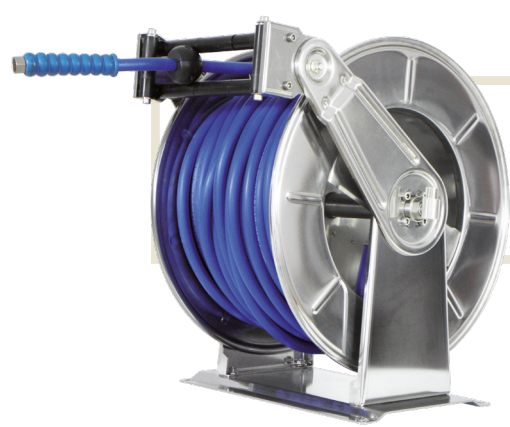
AV6200 BK FE

| | |
|--|--|
| Admitted diameters Diametri ammessi | 1/4" - 3/8" - 1/2" |
| Hose lenght in meters Lunghezza tubo | 60 mt 1/2" - 60 mt 3/8" - 60 mt 1/4" |
| Working pressure Pressione lavoro | Up to 200 bar / Fino a 200 bar |
| Working Temperature Temperatura lavoro | 90°C |
| Inlet thread size Connessione Ingresso | 1/2" M |
| Outlet thread size Connessione uscita | 1/2" F |
| Weight Peso | 49,7 kg |
| Packing size Dimensione imballo | 600x600x600 mm |
| Raw material sides and roll Materiali costruttivi rullo e fiancate | Carbon Steel Acciaio al carbonio |
| Raw material shaft and swivel joint Materiali costruttivi perno e giunto | Carbon Steel Acciaio al carbonio |
| Raw material main spring Materiale molla principale | Carbon Steel Acciaio al carbonio |
| Can be used to transfer Adatto all'utilizzo con | Air Water / Aria Acqua On request Oil Grease Su richiesta Olio Grasso |
| Included Accessories Accessori inclusi | Hose bumper (1/4", 3/8" o 1/2") and nipple (3/8" o 1/2") Palla finecorsa (1/4", 3/8" o 1/2") e nipplo (3/8" o 1/2") |

AV6200 BK CA

| | |
|--|--|
| Admitted diameters Diametri ammessi | 1/4" - 3/8" - 1/2" |
| Hose lenght in meters Lunghezza tubo | 60 mt 1/2" - 60 mt 3/8" - 60 mt 1/4" |
| Working pressure Pressione lavoro | Up to 200 bar / Fino a 200 bar |
| Working Temperature Temperatura lavoro | 90°C |
| Inlet thread size Connessione Ingresso | 1/2" M |
| Outlet thread size Connessione uscita | 1/2" F |
| Weight Peso | 49,7 kg |
| Packing size Dimensione imballo | 600x600x600 mm |
| Raw material sides and roll Materiali costruttivi rullo e fiancate | Carbon Steel Acciaio al carbonio |
| Raw material shaft and swivel joint Materiali costruttivi perno e giunto | Carbon Steel Acciaio al carbonio |
| Raw material main spring Materiale molla principale | Carbon Steel Acciaio al carbonio |
| Can be used to transfer Adatto all'utilizzo con | Air Water / Aria Acqua On request Oil Grease Su richiesta Olio Grasso |
| Included Accessories Accessori inclusi | Hose bumper (1/4", 3/8" o 1/2") and nipple (3/8" o 1/2") Palla finecorsa (1/4", 3/8" o 1/2") e nipplo (3/8" o 1/2") |

RAMEX



AV6200 BK

SAFETY SLOW RETRACTION › SISTEMA FRENANTE DI SICUREZZA

SLOW RETRACTION SYSTEM BK HOSE REEL (SAFETY BRAKE) ASSEMBLY

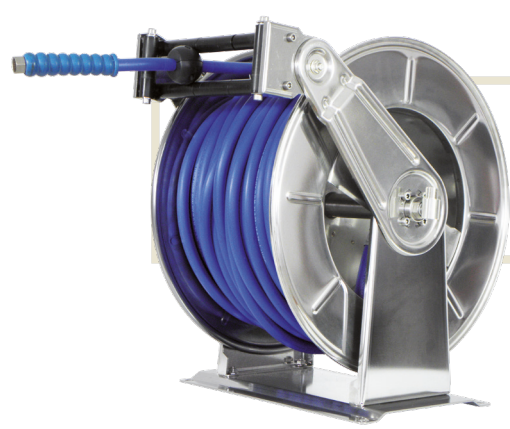
A new innovative system to reduce the speed of uncontrolled automatic hose reel. Just ask to receive hose reel with "SLOW RETRACTION SAFETY BRAKE SYSTEM BK", it will be equipped with an innovative system that will reduce the retracting speed of the reel.

- 1** *Dismount the external frame adapter unscrewing the four screws.*



- 2** *Take out external frame over and the EPDM cover.*



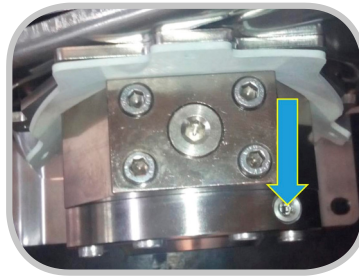


AV6200 BK

SAFETY SLOW RETRACTION › SISTEMA FRENANTE DI SICUREZZA

3

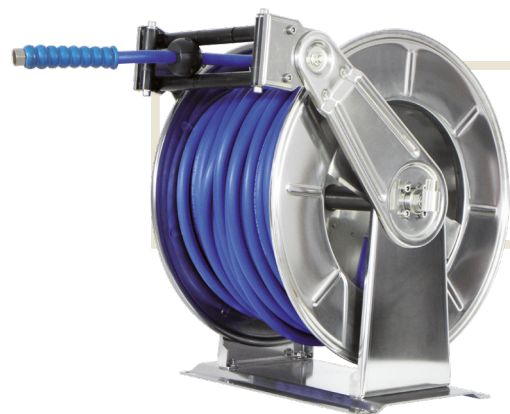
You receive the brake already tested! In case you absolutely need to adjust the speed return of the hose just turn, everytime only few degree, the small screw with hexagonal seat (indicated by arrow). Make a test after every small turn. In case of accidental dismounting of the regulation of screw and leaking of oil, the system must return to RAMEX to be fixed up.



4

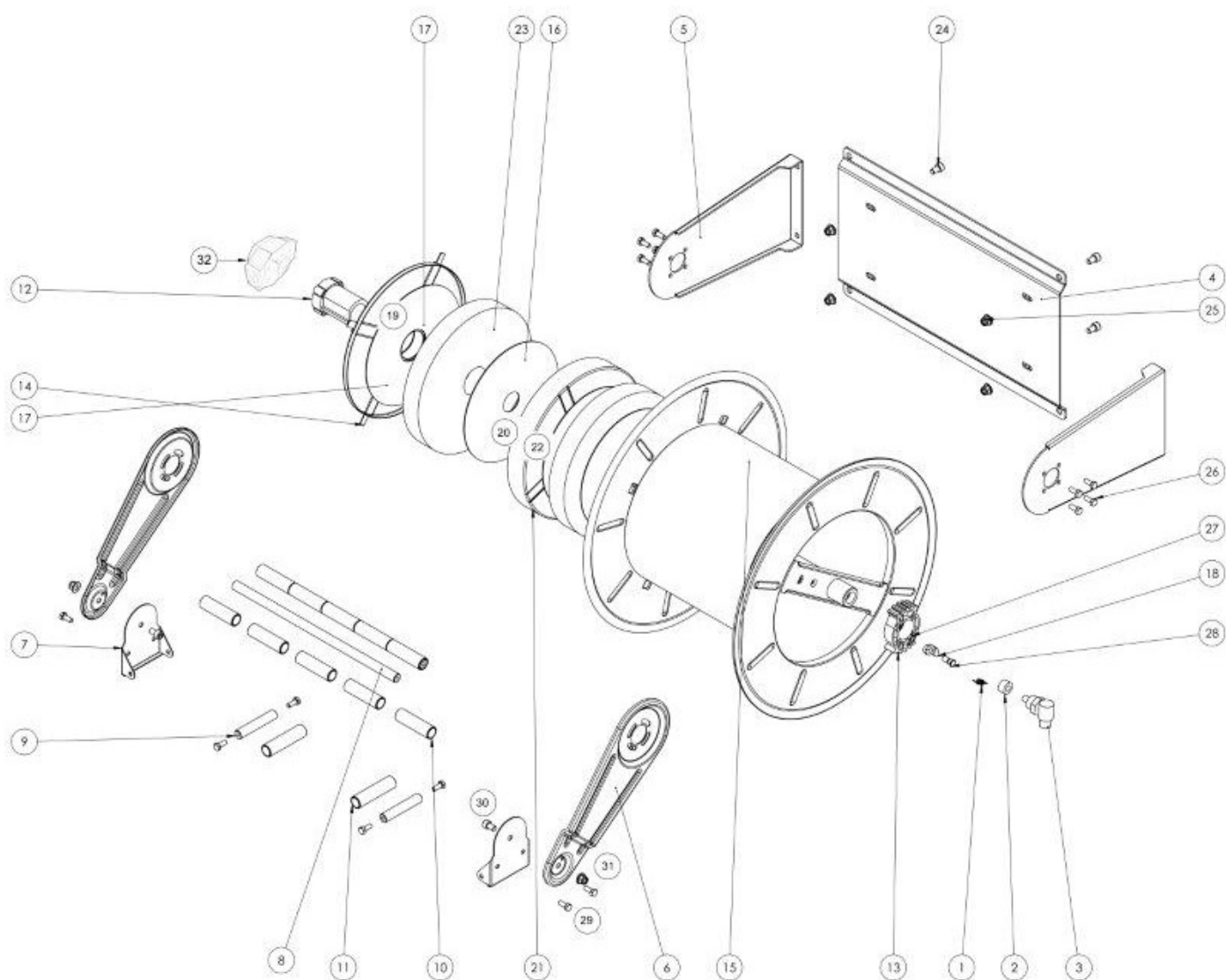
Reassembling external frame over on the EPDM cover. Tight the four screws.






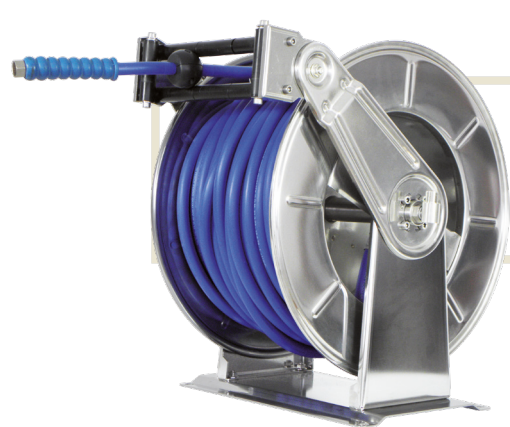
AV6200 BK

EXPLODED VIEW › ESPLOSO



 <http://ramex.com.ru> 8 (800) 707-66-48

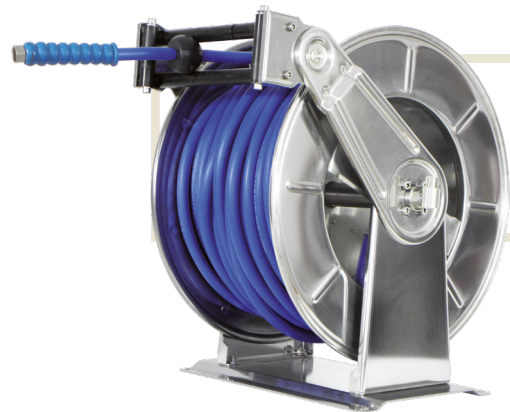
 ramex@ramex.com.ru +7 (495) 540-45-68



AV6200 BK

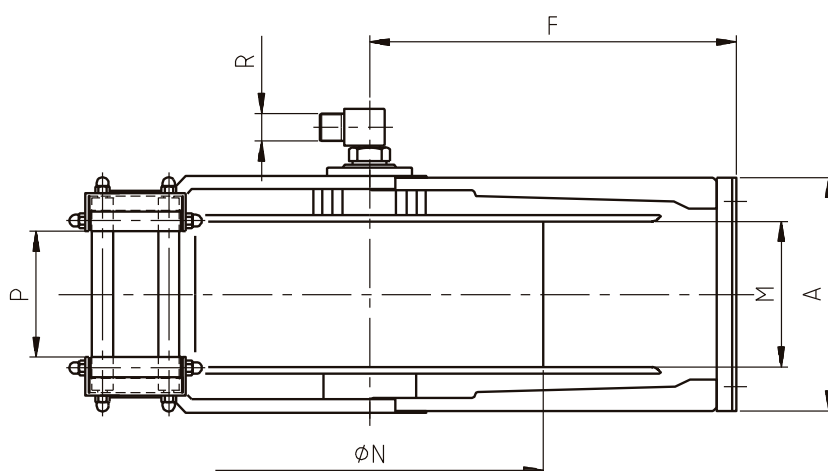
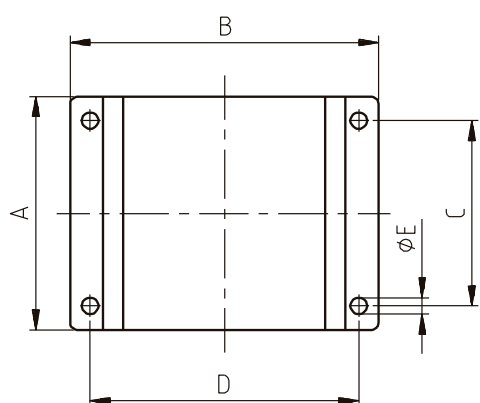
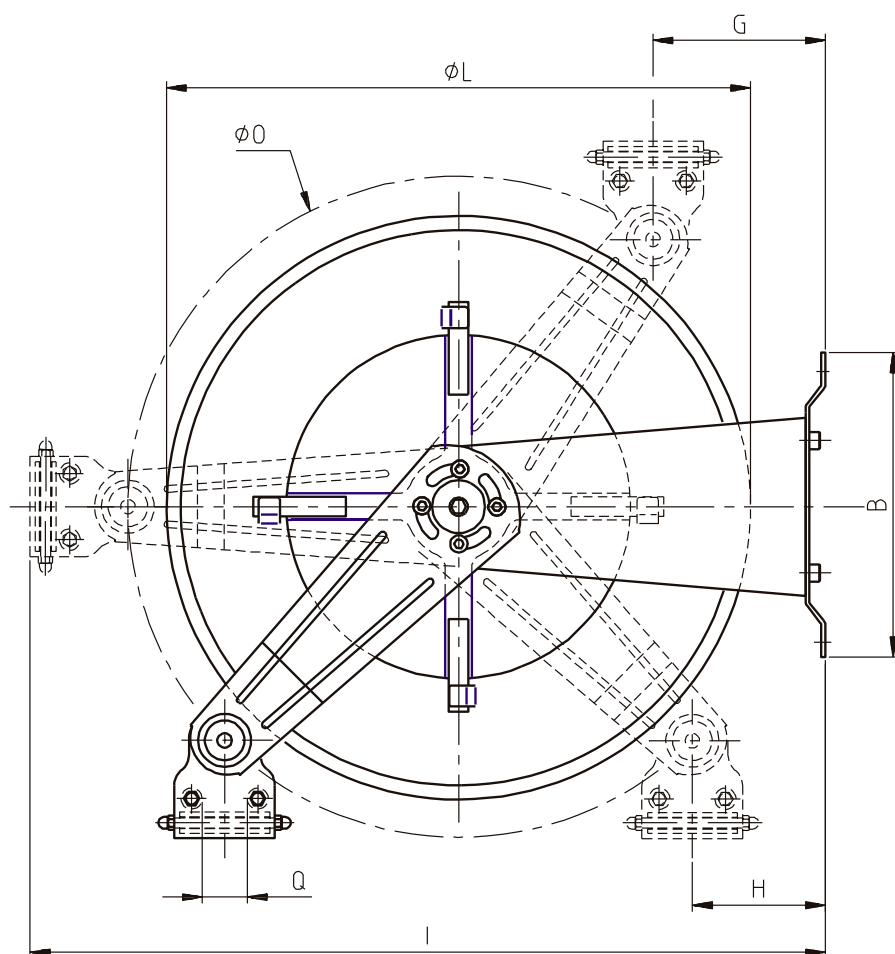
EXPLODED VIEW › ESPLOSO

| POS | Description and quantity / Descrizione e quantità | AV 6200 BK | | AV 6200 BK 316 | | AV 6200 BK FE CA | |
|-----|--|------------|--------------|----------------|------------------|------------------|----------|
| 1 | Ratchet spring / Molla per salterello (1x) | KIT 93 | KIT 12 | KIT 93 316 | KIT 12 316 | KIT 93 | KIT 12 |
| 18 | Plastic ratchet / Salterello in plastica nudo (1x) | | RC 10 | | RC 10 | | RC 10 |
| 27 | Ratchet nut / Dado per salterello (1x) | | RC 20 | | RC 20 316 | | RC 20 |
| 28 | Ratchet screw / Vite per salterello (1x) | | | | | | |
| 2 | Bushing seal / Boccola tenuta (1x) | 4962 | KIT10 NEW | 4960 1/2" | KIT10 NEW 316 | 4961 | KIT10 |
| 3 | Swivel joint / Giunto girevole (1x) | | | | | | |
| 4 | Base (1x) | | | | | | |
| 5 | Side fixed arm / Fiancata fissa (2x) | | | | | | |
| 6 | Mobile arm / Fiancata mobile (2x) | | | | | | |
| 7 | Roller guide / Guida rullino (2x) | | | | | | |
| 8 | Horizontal rod / Tirante orizzontale (2x) | | | | | | |
| 9 | Vertical rod / Tirante verticale (2x) | | | | | | |
| 10 | Horizontal roller / Rullino orizzontale (2x) | | | | | | |
| 11 | Vertical roller / Rullino verticale (2x) | | | | | | |
| 13 | Rack / Cremagliera (1x) | | KIT CR 1 | | KIT CR 1 | | KIT CR 1 |
| 15 | Reel / Bobina (1x) | | | | | | |
| 12 | External plastic hub / Perno in plastica esterno (1x) | KIT 97 | | KIT 97 316 | | KIT 97 | |
| 14 | Spring cover / Copertura per molla (1x) | | | | | | |
| 16 | Plastic separator / Distanziale in plastica (2x) | | | | | | |
| 17 | Plastic separator / Distanziale in plastica (2x) | | | | | | |
| 19 | Plastic ring / Anello in plastica (1x) | | | | | | |
| 20 | Screw / Vite (4x) | | | | | | |
| 21 | Spring case / Padello per portamolla (1x) | | | | | | |
| 22 | Internal plastic hub / Perno in plastica interno (1x) | | | | | | |
| 23 | Main spring / Molla principale (2x) | | | | | | |
| 24 | Screw / Vite (4x) | | | | | | |
| 25 | Nut / Dado (4x) | | | | | | |
| 26 | Screw / Vite (8x) | | | | | | |
| 29 | Screw / Vite (8x) | | | | | | |
| 30 | Screw / Vite (2x) | | | | | | |
| 31 | Nut / Dado (2x) | | | | | | |
| 32 | Braking system (including screws and flange) Sistema frenante (viti e flangia inclusi) (1x) | | | | | | |



AV6200 BK

DIMENSIONAL DRAWING > DISEGNO DIMENSIONALE



| ART. | A | B | C | D | E | F | G | H | I | L | M | N | O | P | Q | R |
|-----------|--------|--------|--------|--------|-------|--------|--------|--------|--------|--------|--------|--------|--------|--------|-------|------|
| AV6200 BK | 390 mm | 295 mm | 360 mm | 263 mm | 13 mm | 315 mm | 120 mm | 107 mm | 700 mm | 540 mm | 295 mm | 310 mm | 580 mm | 250 mm | 43 mm | 1/2" |



AV6200 BK

INCLUDED ACCESSORIES › ACCESSORI INCLUSI

| HOSE REEL AVVOLGITUBO | HOSE BUMPER FERMATUBO | | NIPPLE NIPPLLO | | SWIVEL JOINT GIUNTO GIREVOLE | |
|--------------------------|--------------------------|---|-------------------|--|---------------------------------|---|
| AV 6200 BK | 4944 |  | 4908 |  | 4962 |  |
| AV 6200 BK 316 | | | 4908 - 316 | | 4962 - 316 | |
| AV 6200 BK FE | | | 4908 - FE | | 4961 - FE |  |
| AV 6200 BK CA | | | | | | |

OPTIONAL ACCESSORIES › ACCESSORI OPTIONAL

| HOSE REEL AVVOLGITUBO | HOSE BUMPER FERMATUBO | | GOOSENECK BEND CURVA | |
|--------------------------|--------------------------|--|-------------------------|--|
| AV 6200 BK | 4939 |  | 4938 |  |
| AV 6200 BK 316 | | | | |
| AV 6200 BK FE | | | | |
| AV 6200 BK CA | | | | |

| HOSE REEL AVVOLGITUBO | NIPPLE NIPPLLO | |
|--------------------------|-------------------|---|
| AV 6200 BK | 4906 |  |
| AV 6200 BK 316 | | |
| AV 6200 BK FE | | |
| AV 6200 BK CA | | |

| HOSE TUBO | STANDARD FITTING RACCORDO STANDARD | OPTION OPZIONE |
|---|---|---|
| 43 1/2"  | 4934 1/2"  | 4933 1/2"  |
| 45 1/2"  | | |
| 18 3/8"  | 4932 3/8"  | 4933 3/8"  |
| 18 1/2"  | 4932 1/2"  | 4933 1/2"  |
| 61 1/2"  | | |
| 67 1/2"  | | |